

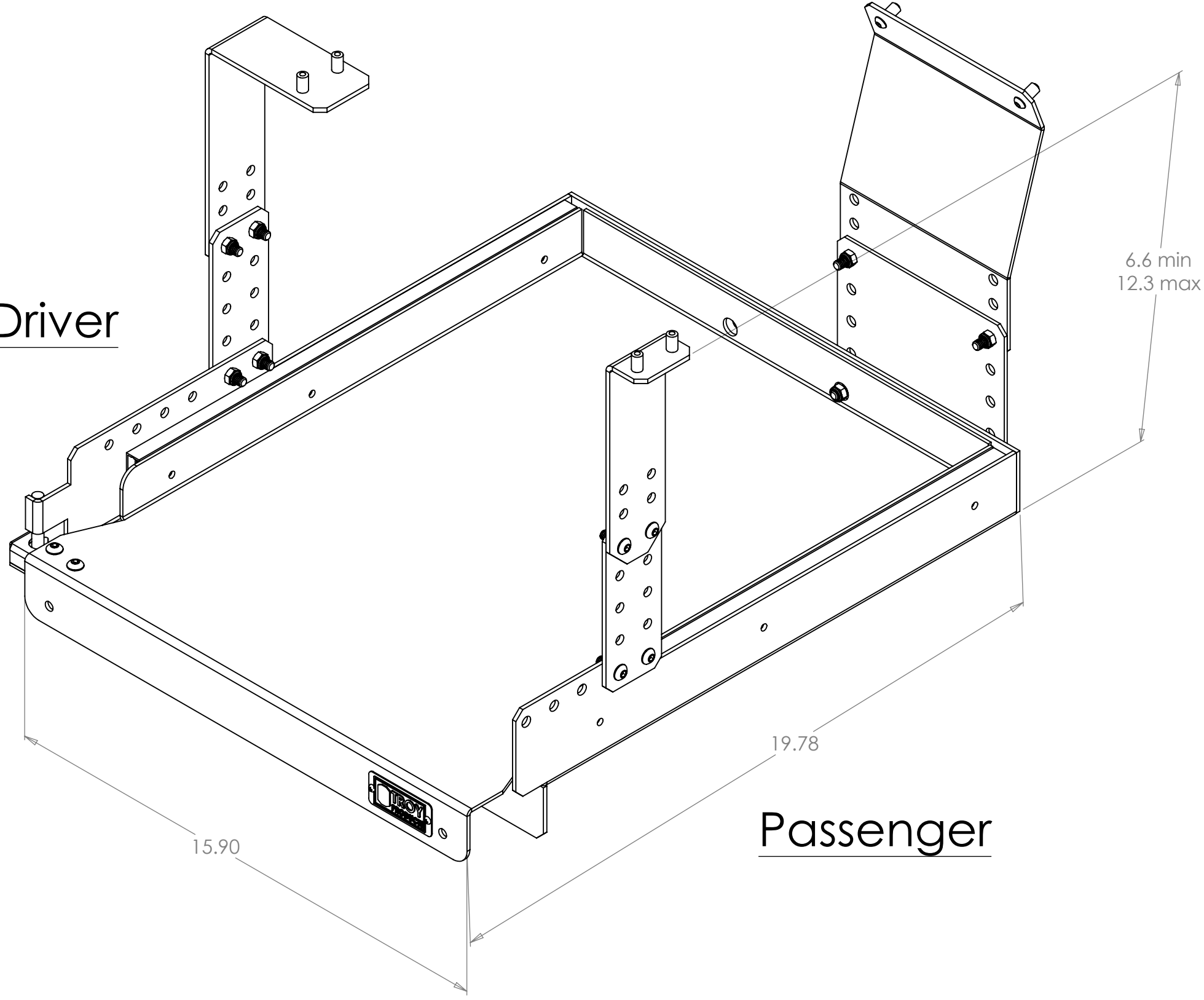
8 7 6 5 4 3 2 1

D
C
B
A

D
C
B
A

Driver

Passenger



8 7 6 5 4 3 2 1